



Frontier Electronics Corp.

667 E. COCHRAN STREET, SIMI VALLEY, CA 93065

TEL: (805) 522-9998 FAX: (805) 522-9989

E-mail: frontiersales@frontierusa.com

Web: frontierusa.com

High Current RF Varnished Chokes (Axial Leads)-11407 series

A. Electrical Specifications:

Part No.	L (uH)	DCR (Ω max.)	I sat. (DC Amps)	I rms. (AC Amps)
114073R9_-LFR	3.9	.019	7.3	1.280
114074R7_-LFR	4.7	.022	6.3	1.280
114075R6_-LFR	5.6	.024	5.6	1.280
114076R8_-LFR	6.8	.026	5.3	1.280
114078R2_-LFR	8.2	.028	4.5	1.280
11407100_-LFR	10	.033	4.1	1.280
11407120_-LFR	12	.037	3.6	1.280
11407150_-LFR	15	.040	3.3	1.280
11407180_-LFR	18	.044	3.0	1.280
11407220_-LFR	22	.050	2.7	1.280
11407270_-LFR	27	.058	2.5	1.280
11407330_-LFR	33	.075	2.2	1.008
11407390_-LFR	39	.094	2.0	0.804
11407470_-LFR	47	.109	1.8	0.804
11407560_-LFR	56	.140	1.7	0.804
11407680_-LFR	68	.145	1.5	0.804
11407820_-LFR	82	.152	1.4	0.804
11407101_-LFR	100	.208	1.2	0.632
11407121_-LFR	120	.283	1.1	0.508
11407151_-LFR	150	.340	1.00	0.508
11407181_-LFR	180	.362	0.95	0.508
11407221_-LFR	220	.430	0.86	0.508
11407271_-LFR	270	.557	0.77	0.400
11407331_-LFR	330	.665	0.70	0.400
11407391_-LFR	390	.772	0.64	0.400
11407471_-LFR	470	1.15	0.59	0.315
11407561_-LFR	560	1.27	0.54	0.315
11407681_-LFR	680	1.61	0.49	0.250
11407821_-LFR	820	1.96	0.44	0.200
11407102_-LFR	1000	2.30	0.40	0.200
11407122_-LFR	1200	2.65	0.35	0.200
11407152_-LFR	1500	3.45	0.33	0.158
11407182_-LFR	1800	4.03	0.29	0.158
11407222_-LFR	2200	4.48	0.27	0.158
11407272_-LFR	2700	5.90	0.24	0.125
11407332_-LFR	3300	6.56	0.22	0.125
11407392_-LFR	3900	8.63	0.200	0.100
11407472_-LFR	4700	10.5	0.180	0.100
11407562_-LFR	5600	13.9	0.166	0.082
11407682_-LFR	6800	16.3	0.151	0.082
11407822_-LFR	8200	20.8	0.136	0.065
11407103_-LFR	10000	26.4	0.125	0.050
11407123_-LFR	12000	29.9	0.114	0.050
11407153_-LFR	15000	42.5	0.098	0.039
11407183_-LFR	18000	48.3	0.091	0.039

Note: **RoHS** compliant.



Frontier Electronics Corp.

667 E. COCHRAN STREET, SIMI VALLEY, CA 93065

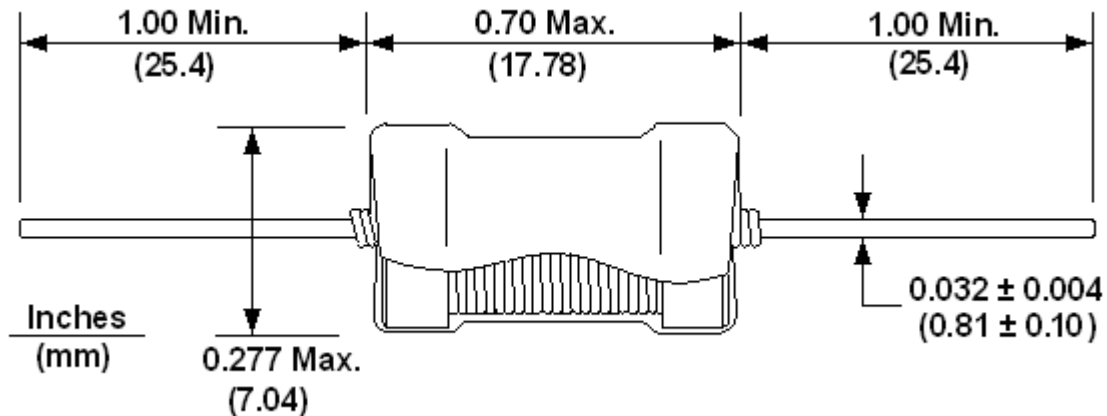
TEL: (805) 522-9998 FAX: (805) 522-9989

E-mail: frontiersales@frontierusa.com

Web: frontierusa.com

High Current RF Varnished Chokes (Axial Leads)-11407 series

B. Mechanical Dimensions:



C. General Information:

1. Inductance measured at 1.0KHz.
2. Tolerance: L: ±15%, K: ±10% and J: ±5% tolerances optional.
3. Core: Ferrite bobbin core
4. Low DCR & High current capacity.
5. Saturation current to cause 10% maximum inductance drop.
6. Ambient Temperature -55°C to +125°C.
7. Rated current to cause 35°C max. temperature rise
8. Dielectric strength 2500Vrms
9. Coil finished with varnish and covered with VW1 rated shrink tubing.
10. Packaging for bulk: 200 pcs/box and 32000 pcs/carton.

*Note: Parts are **RoHS** compliant.*